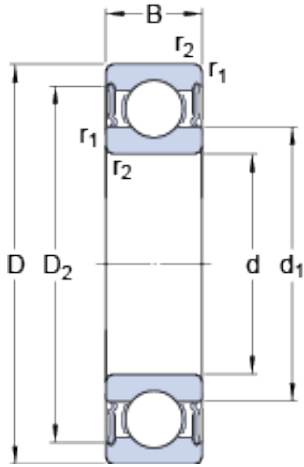




AMERICAN BEARING MFG.CORP.



90 mm x 160 mm x 30 mm 511988 Bearings
260x400x186mm

Bearing No. 6218-2RS1

6218-2RS1 Bearing 2D drawings and 3D CAD models

Size	160x90x30 mm
Bore Diameter	160 mm
Outer Diameter	90 mm
Width	30 mm
d	90 mm
D	160 mm
B	30 mm
d ₁	112.5 mm
D ₂	142.6 mm
r _{1,2} - min.	2 mm
d _a - min.	101 mm
d _a - max.	112 mm
D _a - max.	149 mm
r _a - max.	2 mm
Basic dynamic load rating - C	101 kN
Basic static load rating - C ₀	73.5 kN
Fatigue load limit - P _u	2.8 kN
Limiting speed	2600 r/min
Calculation factor - k _r	0.025
Calculation factor - f ₀	14.7
Category	Single Row Ball Bearings
Inventory	0.0
Manufacturer Name	SKF
Minimum Buy Quantity	N/A



AMERICAN BEARING MFG.CORP.

Weight / Kilogram	2.303
Product Group	B00308
Enclosure	2 Seals
Precision Class	ABEC 1 ISO P0
Maximum Capacity / Filling Slot	No
Rolling Element	Ball Bearing
Snap Ring	No
Internal Special Features	No
Cage Material	Steel
Enclosure Type	Contact Seal
Internal Clearance	C0-Medium
Inch - Metric	Metric
Long Description	90MM Bore; 160MM Outside Diameter; 30MM Outer Race Diameter; 2 Seals; Ball Bearing; ABEC 1 ISO P0; No Filling Slot; No Snap Ring; No Internal Special Features
Category	Single Row Ball Bearing
UNSPSC	31171504
Harmonized Tariff Code	8482.10.50.68
Noun	Bearing
Keyword String	Ball
Manufacturer URL	http://www.skf.com
Manufacturer Item Number	6218 2RS1
Weight / LBS	5.01
Bore	3.543 Inch 90 Millimeter
Outer Race Width	1.181 Inch 30 Millimeter
Outside Diameter	6.299 Inch 160 Millimeter
bore diameter:	90 mm
static load capacity:	73.5 kN
outside diameter:	160 mm



AMERICAN BEARING MFG.CORP.

precision rating:	Not Rated
overall width:	30 mm
finish/coating:	Uncoated
bore type:	Round
cage material:	Steel
closure type:	Double Sealed
outer ring width:	30 mm
row type & fill slot:	Single Row Non-Fill Slot
fillet radius:	2 mm
internal clearance:	C0
maximum rpm:	2600 RPM
operating temperature range:	-40 to +210 ° F
series:	62
dynamic load capacity:	101 kN
d_1	112.5 mm
D_2	142.6 mm
$r_{1,2}$ min.	2 mm
d_a min.	101 mm
d_a max.	112 mm
D_a max.	149 mm
r_a max.	2 mm
Basic dynamic load rating C	101 kN
Basic static load rating C_0	73.5 kN
Fatigue load limit P_u	2.8 kN
Calculation factor k_r	0.025
Calculation factor f_0	14.7
Mass bearing	2.31 kg